

Series MP

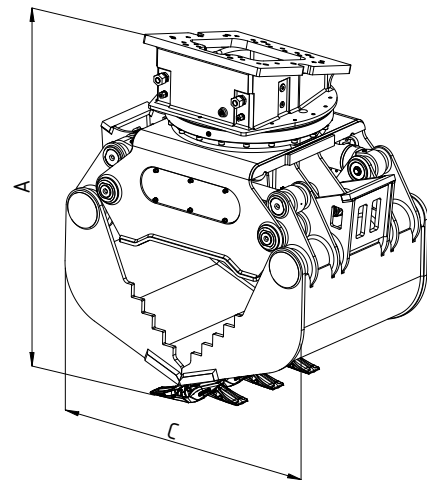
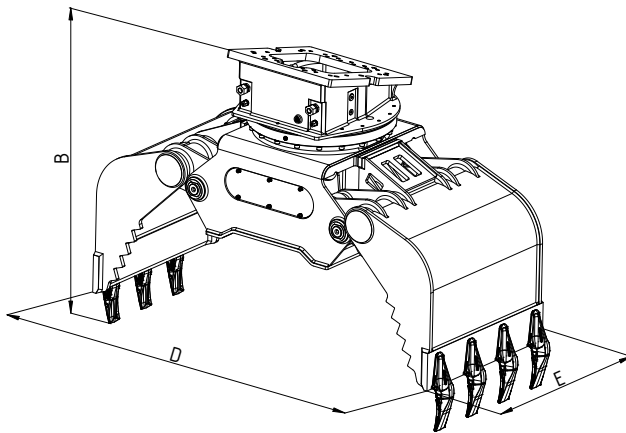


Two-shell universal grabs

MP4

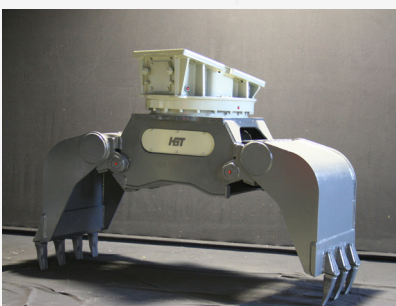
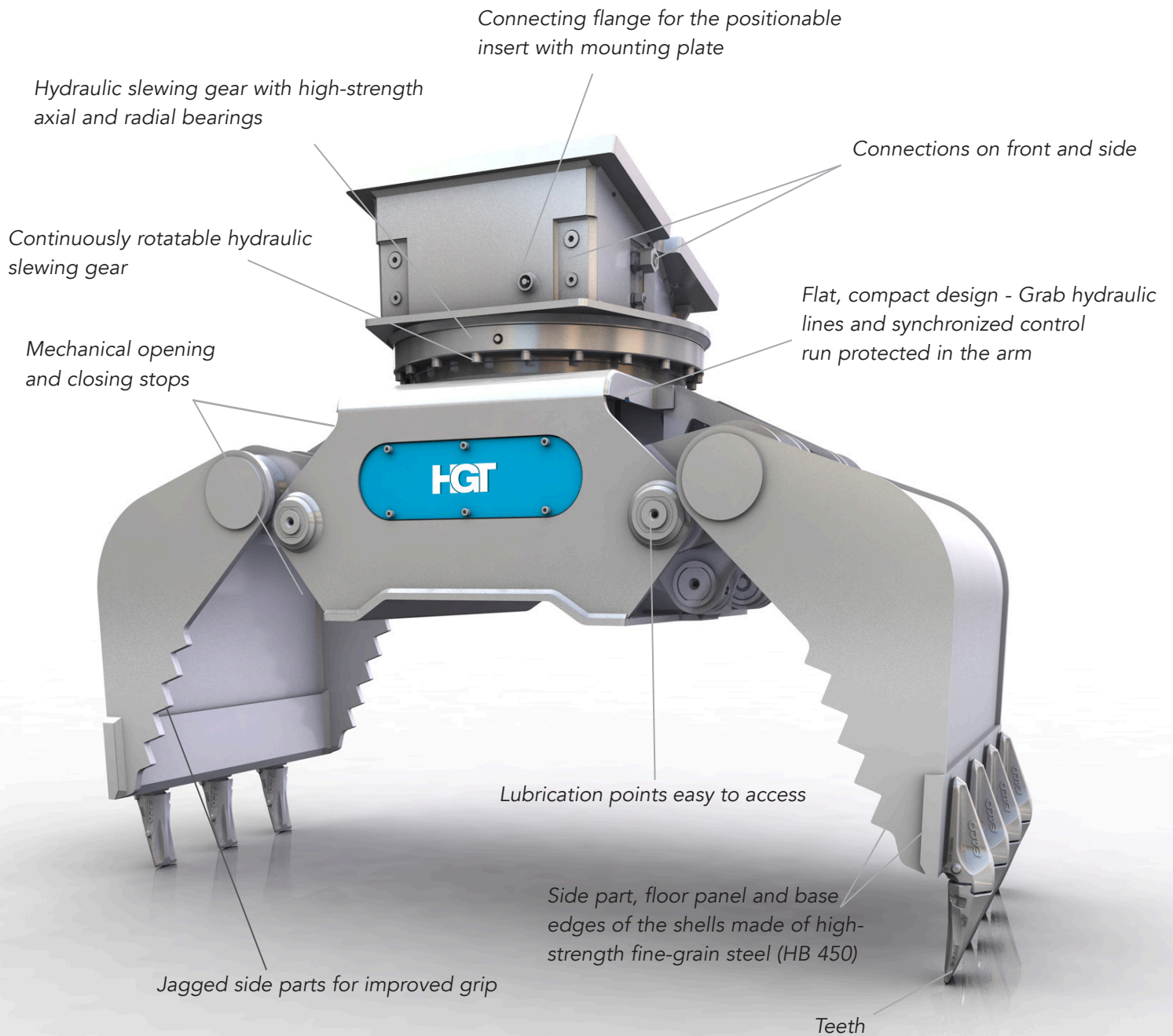
Excavator weight class (t): 20-25
Capacity (l): 610

Operating pressure (bar): 350 grabbing / 140 slewing
Clamping force (kN): 57



Type	Max.grabber load bearing capacity (t)	Load bearing capacity slewing gear max. (t)	Weight without adapter plate (kg)	Number of teeth	Dimensions (mm)				
					A	B	C	D	E
MP4	6	20	1735	7	1630	1640	1330	2290	940





Multi-use grab for a wide range of applications for handling different materials such as stone-setting tasks, sorting construction scrap, loading and sorting recycling materials, earth excavation and loading coarse bulk goods, loading bushes and shrubs.