

Series MP

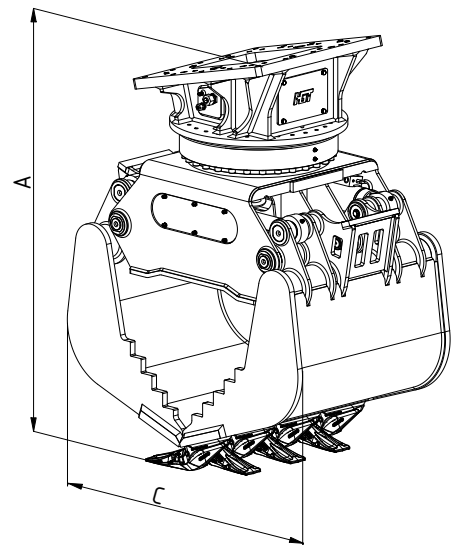
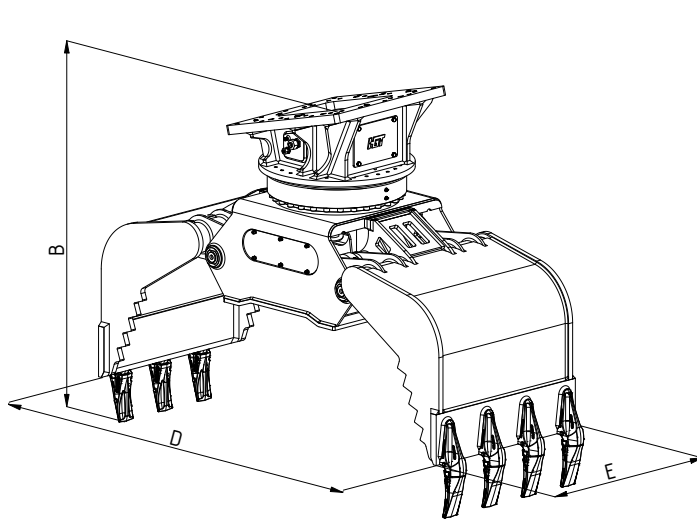


Two-shell universal grabs

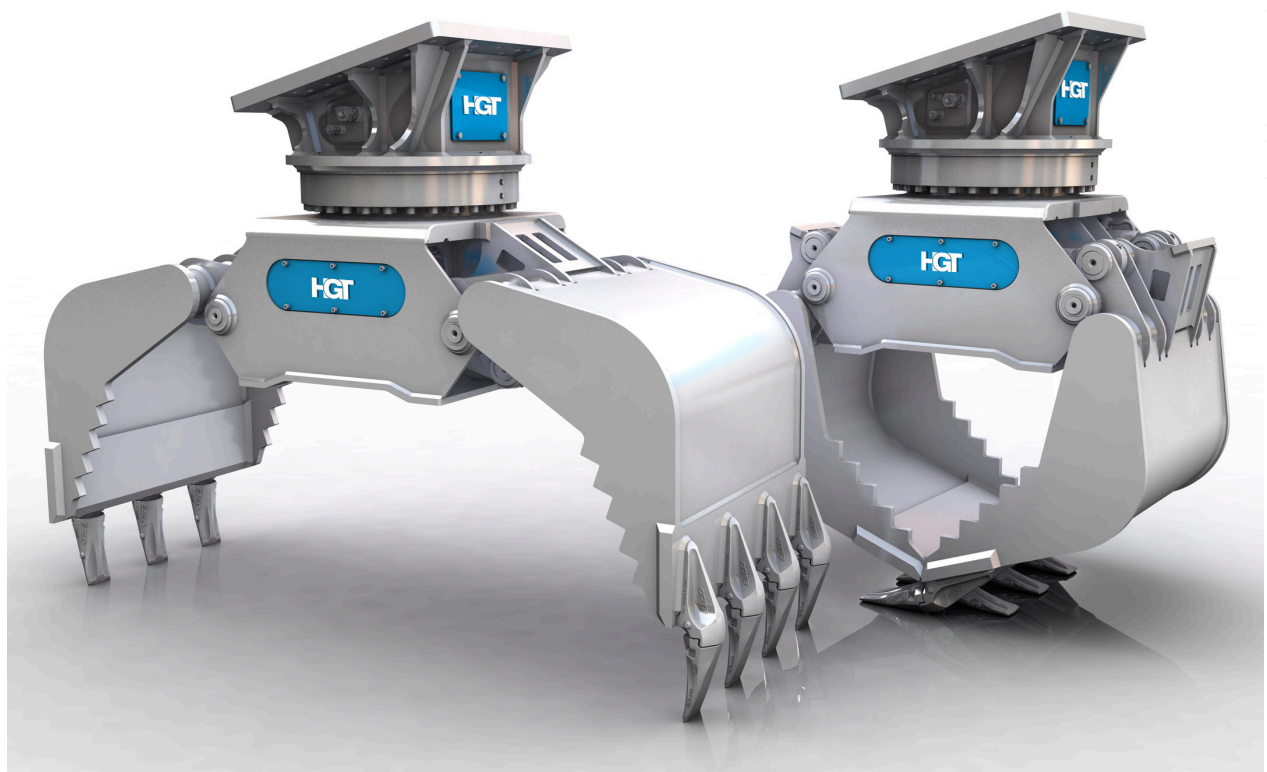
MP6

Excavator weight class (t): 29-40
Capacity (l): 1025

Operating pressure (bar): 350 grabbing / 140 slewing
Clamping force (kN): 85



Type	Max.grabber load bearing capacity (t)	Load bearing capacity slewing gear max. (t)	Weight without adapter plate (kg)	Number of teeth	Dimensions (mm)				
					A	B	C	D	E
MP6	8	20	2330	7	2056	2009	1500	2730	1030



Connecting flange for the positionable insert with mounting plate

Hydraulic slewing gear with high-strength axial and radial bearings

Connections on the side

Continuously rotatable hydraulic slewing gear

Flat, compact design - Grab hydraulic lines and synchronized control run protected in the arm

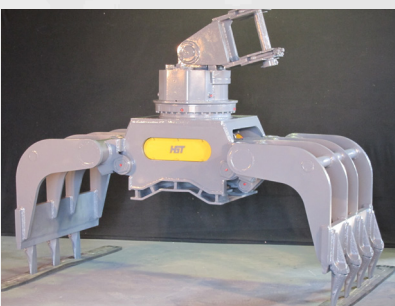
Mechanical opening and closing stops

Lubrication points easy to access

Jagged side parts for improved grip

Side part, floor panel and base edges of the shells made of high-strength fine-grain steel (HB 450)

Teeth



Multi-use grab for a wide range of applications for handling different materials such as stone-setting tasks, sorting construction scrap, loading and sorting recycling materials, earth excavation and loading course bulk goods, loading bushes and shrubs.