

Series MT



Orange loading grab

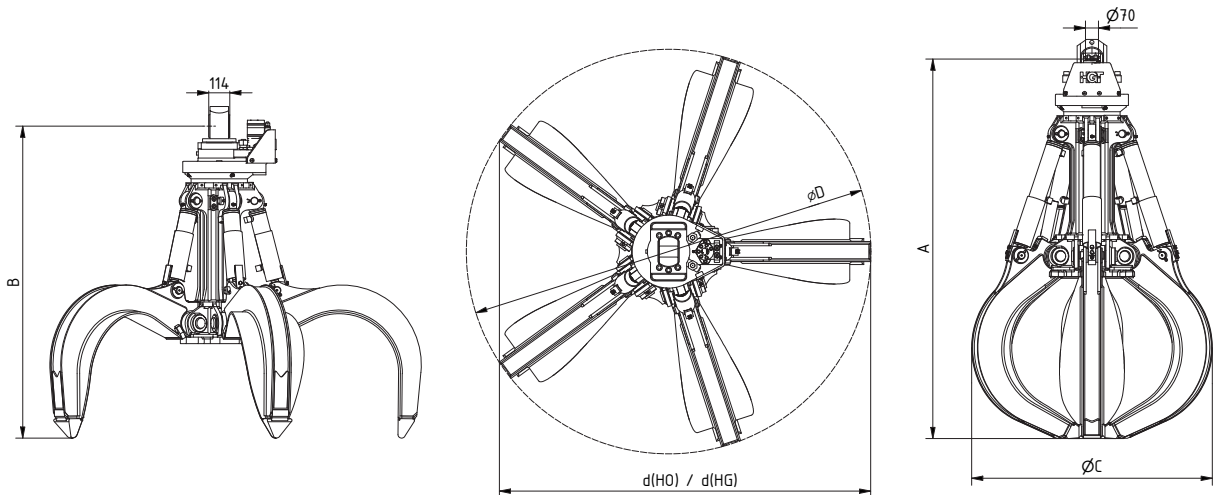
MT3.2-5

Excavator weight class (t): 10-25

Operating pressure (bar): 350 grabbing / 140 slewing

Load bearing capacity (t): Grab: 2 / Slewing gear: 10

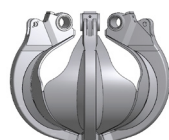
Speed (rpm): 15



Type	Capacity (l)	Weight (kg)		Dimensions (mm)					
		HO	HG	A	B	C	D	d(HO)	d(HG)
MT3.2-500-5	500	890	970	2046	1676	1335	2187	2003	2046



Half open (HO)



Half closed (HG)





Special handling and sorting grab for large and bulky material such as found in quarries, scrap sorting, waste and recycling facilities. Available as 4 and 5 arm version.