

Series MT



Orange loading grab

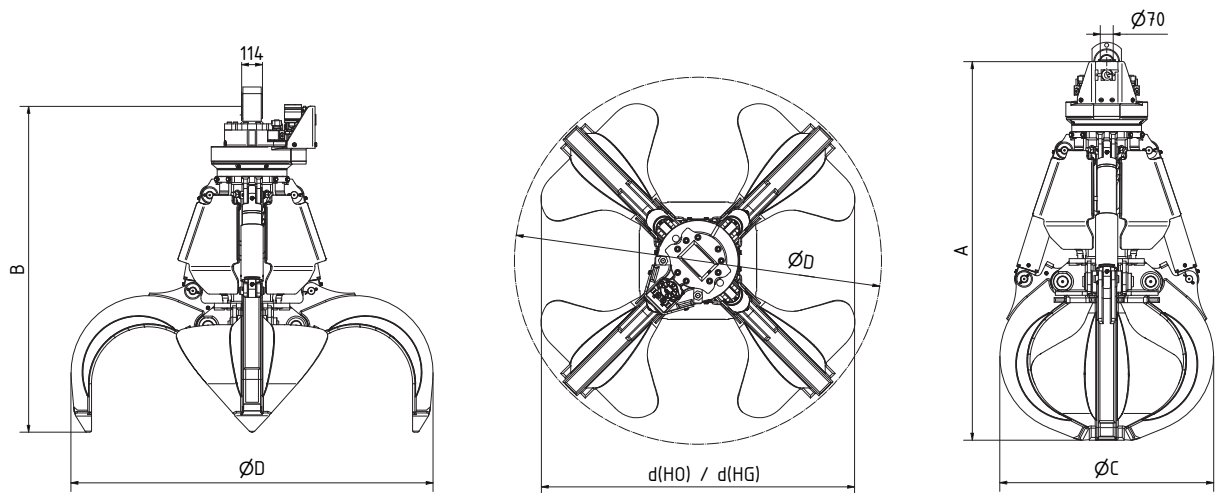
# MT3.6-4

Excavator weight class (t): 15-30

Operating pressure (bar): 350 grabbing / 140 slewing

Load bearing capacity (t): Grab: 4 / Slewing gear: 15

Speed (rpm): 15



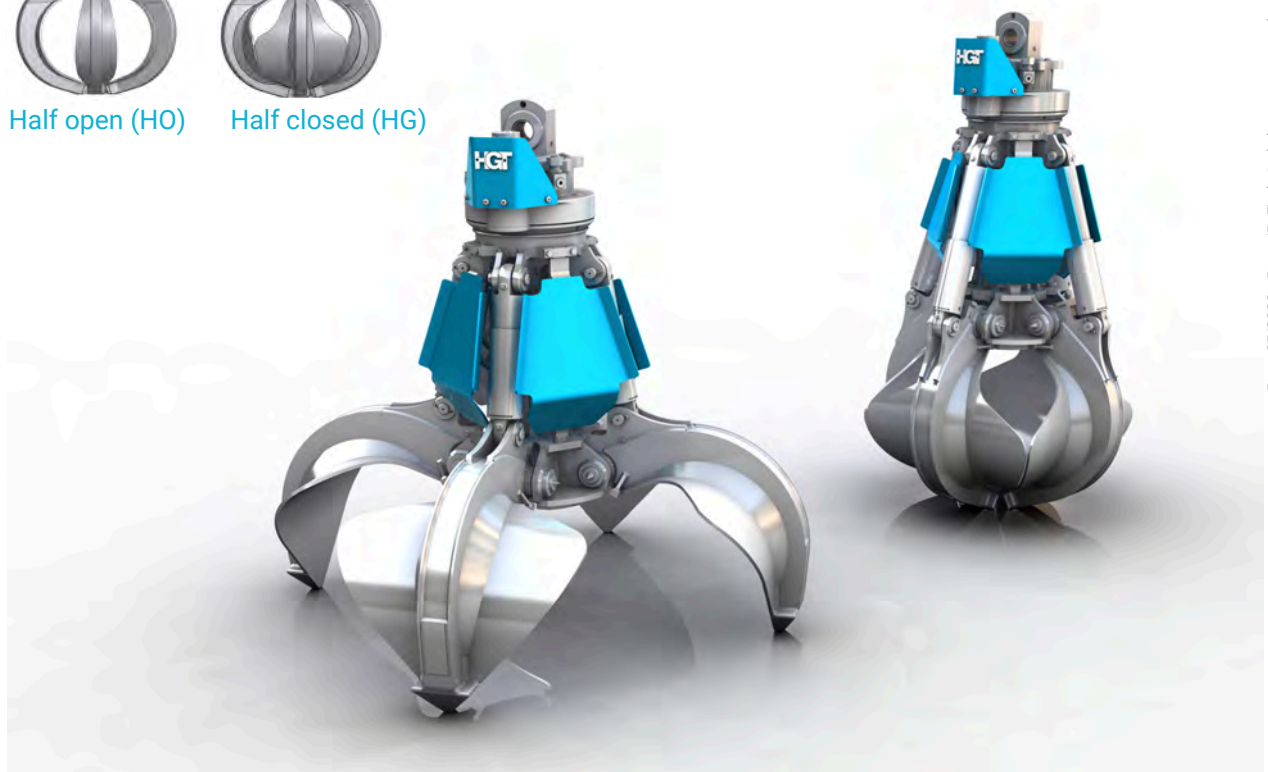
Type	Capacity (l)	Weight (kg)		Dimensions (mm)						
		HO	HG	A	B	C(HO)	C(HG)	D	d(HO)	d(HG)
MT3.6-400-4	400	1174	1322	2134	1810	1280	1410	2109	1607	1915
MT3.6-600-4	600	1208	1353	2236	1856	1371	1501	2295	1734	2067
MT3.6-800-4	800	1234	1430	2339	1903	1463	1659	2483	1870	2256



Half open (HO)



Half closed (HG)



Connecting piece for cardanic grab suspension

Continuously rotatable hydraulic slewing gear

Hose protection plate for the hydraulic connections on the slewing gear

Hose protection plate

Lifting cylinder with dampened end position

Piston rod protection

Sealed, large-surface shell rivet point bearings

The shells are exchangeable within the entire series and made completely of HB 450

Shell tips made of manganese steel



Special handling and sorting grab for large and bulky material such as found in quarries, scrap sorting, waste and recycling facilities. Available as 4 and 5 arm version.