

Series MT



Orange loading grab

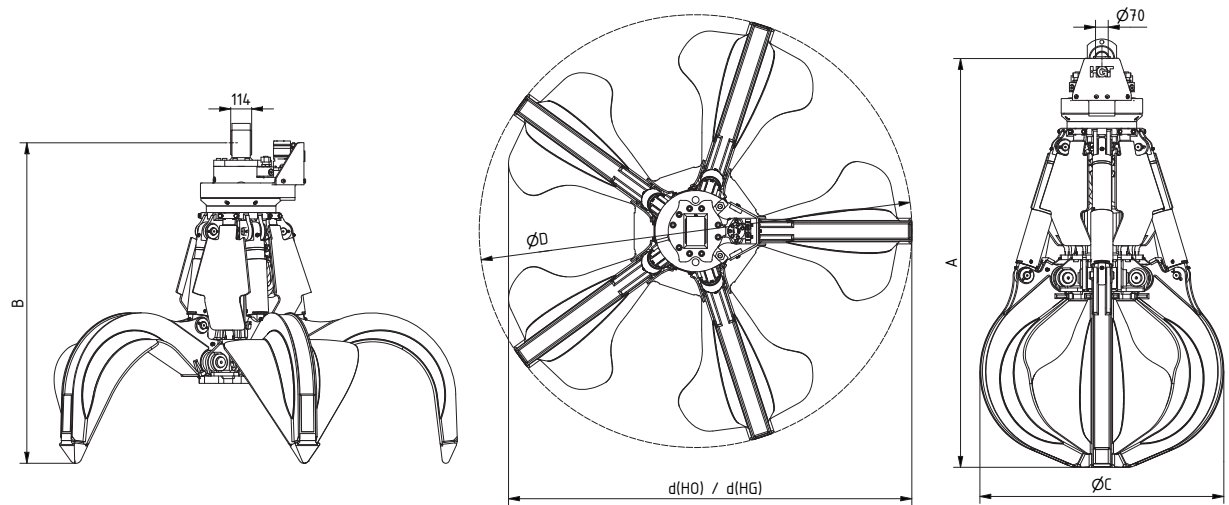
# MT3.6-5

Excavator weight class (t): 15-30

Operating pressure (bar): 350 grabbing / 140 slewing

Load bearing capacity (t): Grab: 4 / Slewing gear: 15

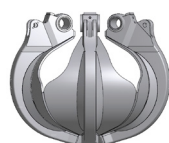
Speed (rpm): 15



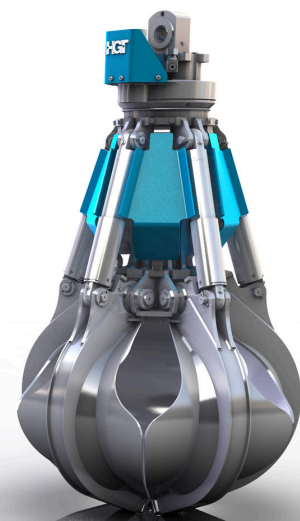
Type	Capacity (l)	Weight (kg)		Dimensions (mm)						
		HO	HG	A	B	C(HO)	C(HG)	D	d(HO)	d(HG)
MT3.6-400-5	400	1369	1425	2134	1810	1280	1280	2109	1937	1982
MT3.6-600-5	600	1399	1492	2236	1856	1371	1371	2295	2105	2155
MT3.6-800-5	800	1452	1566	2339	1903	1463	1463	2483	2275	2340



Half open (HO)



Half closed (HG)



Connecting piece for cardanic grab suspension

Continuously rotatable hydraulic slewing gear

Hose protection plate for the hydraulic connections on the slewing gear

Piston rod protection

Lifting cylinder with dampened end position

The shells are exchangeable within the entire series and made completely of HB 450

Large-area shell rivet point bearings

Shell tips made of manganese steel



Special handling and sorting grab for large and bulky material such as found in quarries, scrap sorting, waste and recycling facilities. Available as 4 and 5 arm version.