

Series MT



Orange loading grab

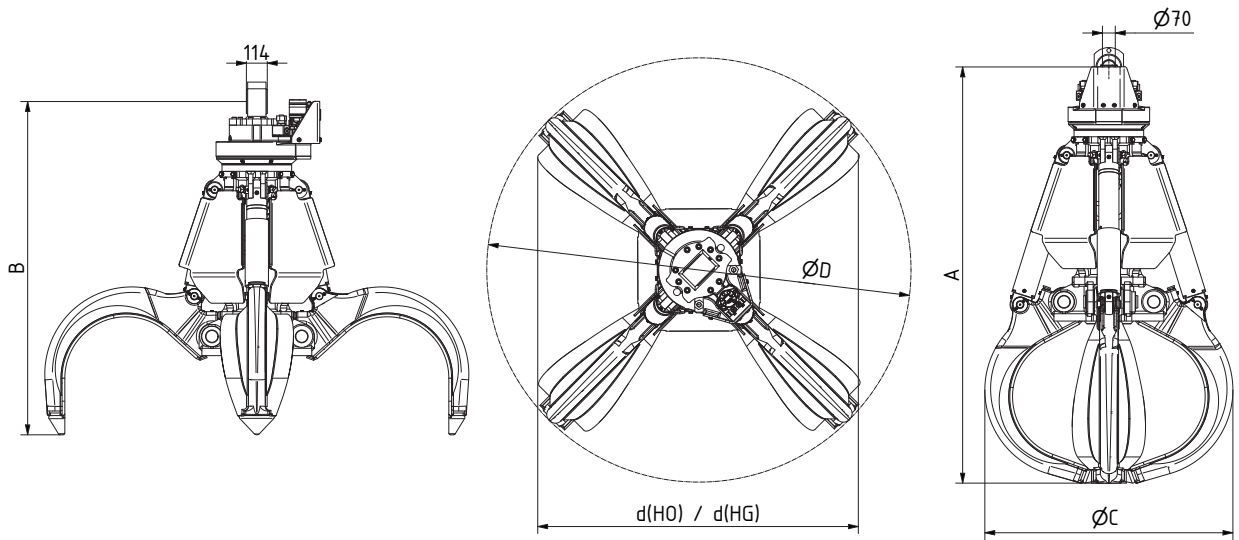
MT4.6-4

Excavator weight class (t): 30-55

Operating pressure (bar): 350 grabbing / 140 slewing

Load bearing capacity (t): Grab: 8 / Slewing gear: 15

Speed (rpm): 15



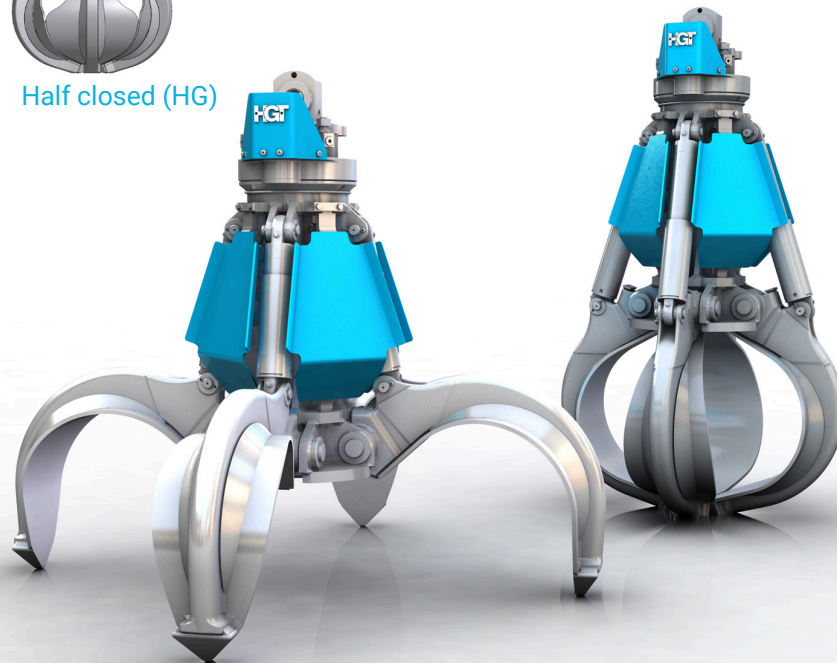
| Type | Capacity (l) | Weight (kg) | | Dimensions (mm) | | | | | | |
|--------------|--------------|-------------|------|-----------------|------|--------|--------|------|-------|-------|
| | | HO | HG | A | B | C (HO) | C (HG) | D | d(HO) | d(HG) |
| MT4.6-400-4 | 400 | 1570 | 1720 | 2185 | 1790 | 1350 | 1400 | 2160 | 1630 | 1915 |
| MT4.6-600-4 | 600 | 1600 | 1790 | 2270 | 1820 | 1360 | 1500 | 2320 | 1755 | 2070 |
| MT4.6-800-4 | 800 | 1685 | 1930 | 2405 | 1865 | 1540 | 1640 | 2600 | 1935 | 2280 |
| MT4.6-1000-4 | 1000 | 1760 | 2060 | 2520 | 1900 | 1670 | 1880 | 2795 | 2095 | 2535 |

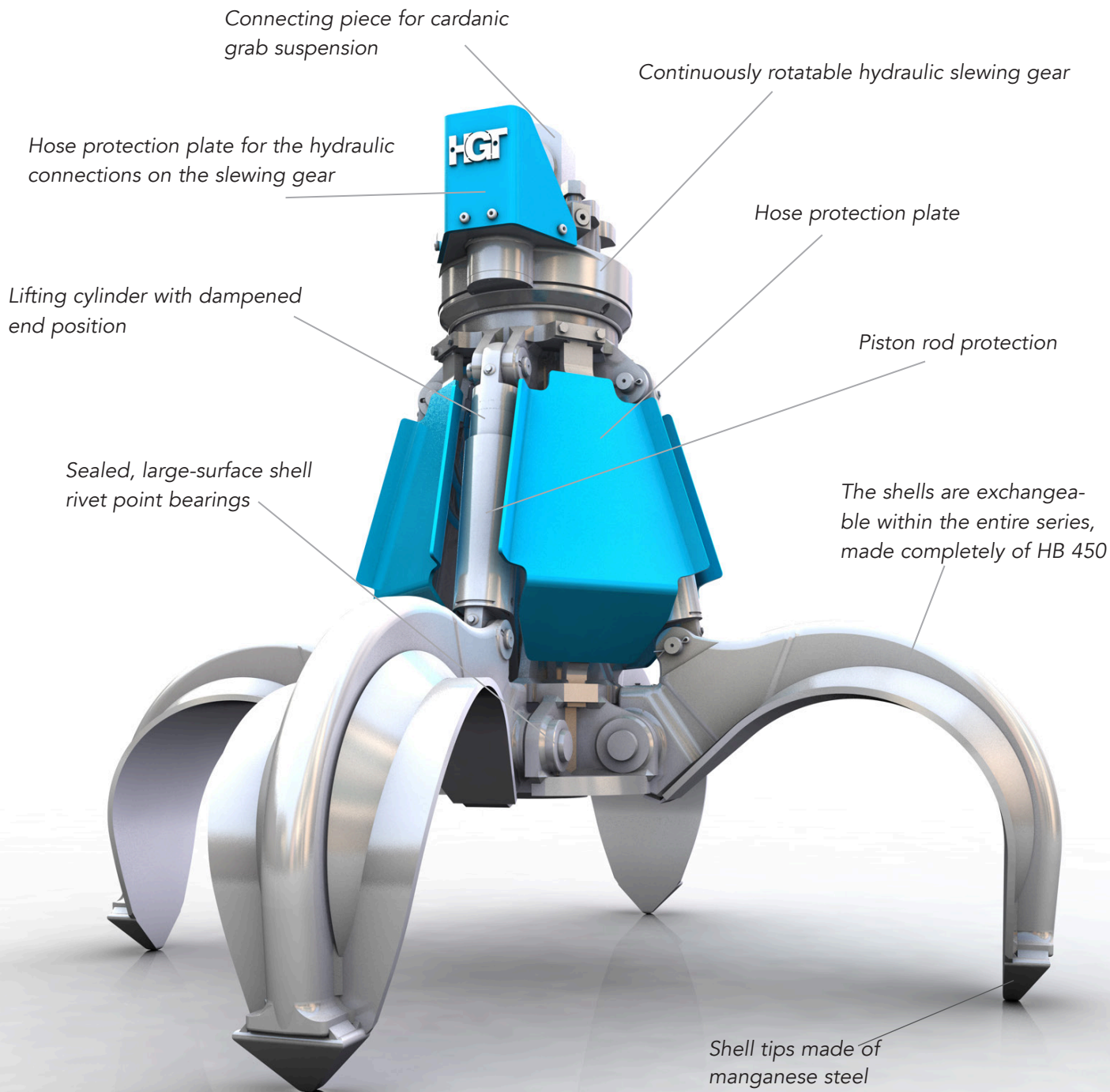


Half open (HO)



Half closed (HG)





Special handling and sorting grab for large and bulky material such as found in quarries, scrap sorting, waste and recycling facilities. Available as 4 and 5 arm version.