

Series OQC

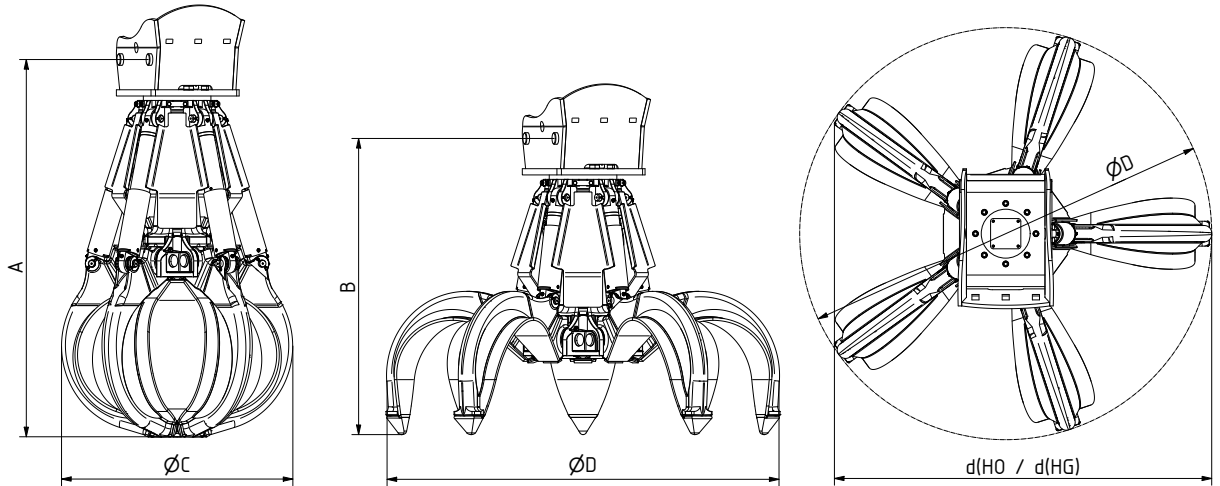


OQC Loading Grab

# OQC-MT4.6-5

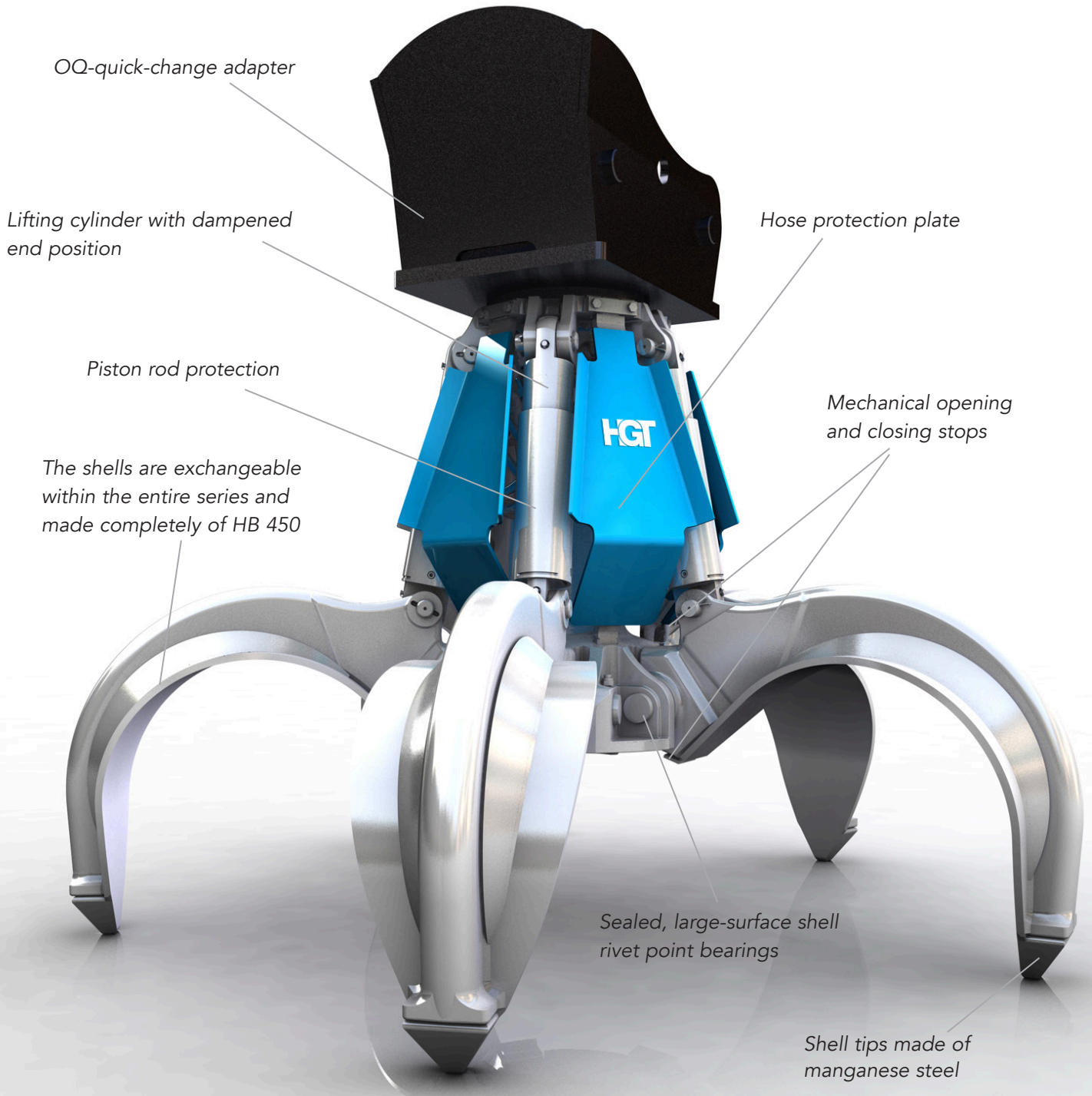
Excavator weight class (t): 30-55  
Carrying capacity (t): 8

Operating pressure (bar): 350 grabbing



Type	Capacity (l)	Weight (kg)		Dimensions (mm)					
		HO	HG	A	B	C	D	d(HO)	d(HG)
OQC65-MT4.6-400-5	400	1820	1920	2032	1637	1350	2160	1990	2015
OQC65-MT4.6-600-5	600	1910	2035	2117	1667	1360	2320	2120	2180
OQC65-MT4.6-800-5	800	1960	2140	2252	1712	1540	2600	2380	2420
OQC65-MT4.6-1000-5	1000	2040	2290	2362	1747	1680	2800	2565	2635
OQC65-MT4.6-1250-5	1250	2120	2440	2447	1777	1755	3095	2835	2850
OQC65-MT4.6-1400-5	1400	2200	2590	2532	1807	1780	3190	2925	3060





OO-quick-change adapter

Lifting cylinder with dampened end position

Hose protection plate

Piston rod protection

Mechanical opening and closing stops

The shells are exchangeable within the entire series and made completely of HB 450

Sealed, large-surface shell rivet point bearings

Shell tips made of manganese steel



Special handling and sorting grab for large and bulky material such as found in quarries, scrap sorting, waste and recycling facilities. Available as 4 and 5 arm version.