

Series OQC

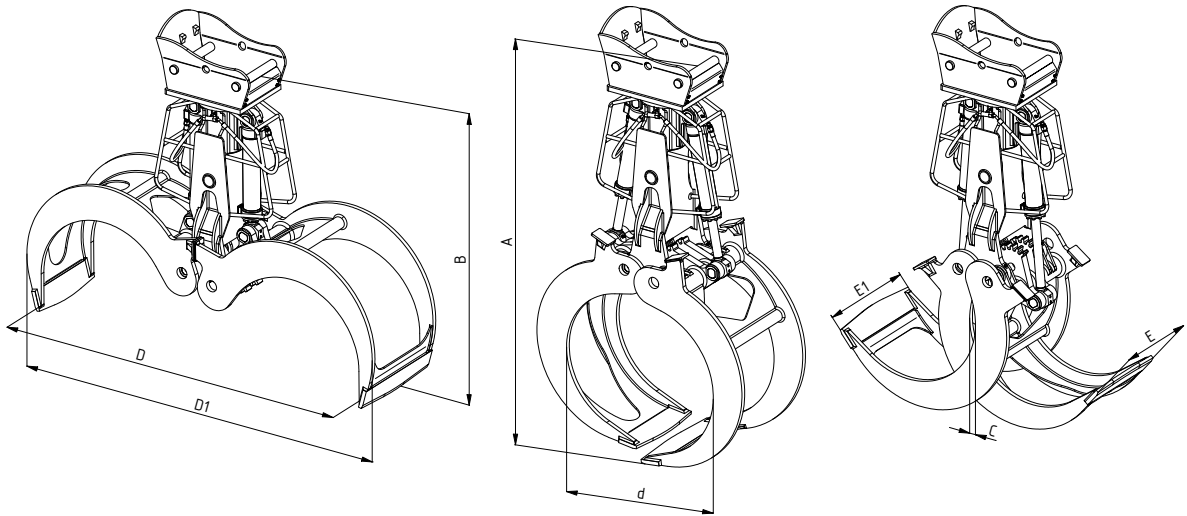


OQC Loading Grab

OQC-TG4.6

Excavator weight class (t): 22-35
Carrying capacity (t): 6

Operating pressure (bar): 350 grabbing
Log length (m): 3-8



Type	Capacity (m ²)	Weight (kg)	Dimensions (mm)					
			A	B	C	d	D/D1	E/E1
OQC-TG4.6-800-B	0.8	1605	2738	2095	40	1030	2382/2568	700/840
OQC-TG4.6-1000-B	1.0	1718	2820	2125	80	1140	2543/2764	700/840
OQC-TG4.6-1250-B	1.25	1795	2940	2145	95	1286	2757/2998	700/840
OQC-TG4.6-1500-B	1.5	1857	3060	2205	115	1398	2986/3227	700/840
OQC-TG4.6-1750-B	1.75	1920	3170	2224	135	1515	3192/3448	700/840
OQC-TG4.6-2000-B	2.0	2025	3275	2280	240	1657	3390/3665	700/840



OO-quick-change adapter

The shells are exchangeable within the entire series

Ramming protection

- Straps, tooth segments HB 450
- Side parts S 690 QL
- Bottom edge HB 500

Tooth segments or synchronized control run arranged protected in the arm

Mechanical opening and closing stops to protect the hydraulic system



Handling grab for logs and round timber. Due to the shape of the tines, TG wood grabs can easily pick up one or more logs of different diameter from the ground, a stack or HGV and confidently hold and handle them.